

**Tel** 01925 571557  
**Email** info@hausglass.co.uk  
**Web** www.hausglass.co.uk  
**Showroom** 102 Gainsborough Road,  
 Warrington, Cheshire, WA4 6BN



- Standard colours lead times 8/10 weeks.
- Non standard colours lead times 10/12 weeks.
- Standard colours available - Anthracite grey 7016M, White, Black.
- Standard Handle - half Cylinder handle, recessed cup handle.
- Standard Colours - Black, White.
- All the above can be colour coded to match any frame colour.
- Non standard stainless steel bar handles available on request.
- 10 year warranty.

RAL 7016M

### Performance

**U-Value** – Centre pane of 1.2W/m<sup>2</sup>K = Overall U-Value of 1.8W/m<sup>2</sup>K.

Centre pane of 1.0W/m<sup>2</sup>K = Overall U-Value of 1.6W/m<sup>2</sup>K.

Centre pane of 0.8W/m<sup>2</sup>K = Overall U-Value of 1.5W/m<sup>2</sup>K.

Centre pane of 0.7W/m<sup>2</sup>K = Overall U-Value of 1.4W/m<sup>2</sup>K.

**Air Tightness** – Class 3, 600Pa

**Wind resistance** – Class AE, 2400Pa

**Water resistance** – Class 7a, 300Pa

### Technical

**Frame height** – 52mm

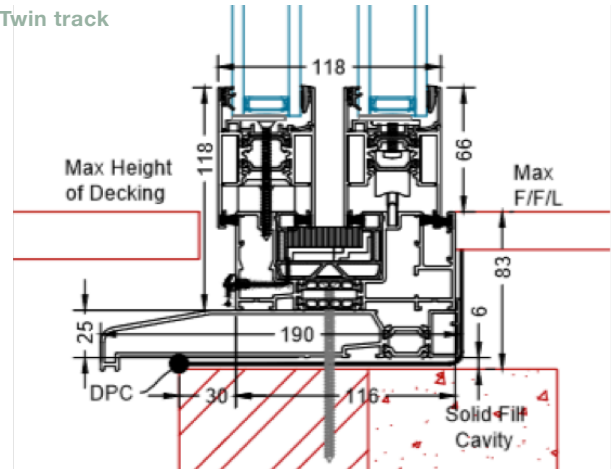
**Glass thickness** – Up to 38mm

**Meeting section** – 30mm

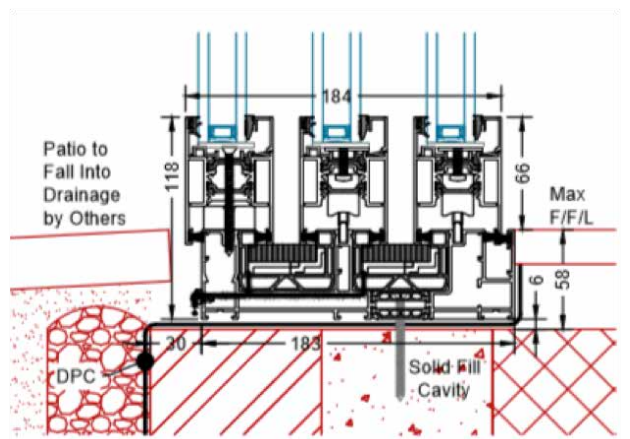
**Frame depth** – twin - 116mm  
 Triple – 183mm

**Maximum height** – 2800mm

### Twin track



### Triple track



**Tel** 01925 571557  
**Email** info@hausglass.co.uk  
**Web** www.hausglass.co.uk  
**Showroom** 102 Gainsborough Road,  
 Warrington, Cheshire, WA4 6BN

## Performance

**U-Value** – 1.6 W/m<sup>2</sup>K based on using a sealed unit with 1.0 W/m<sup>2</sup>K centre pane

**Security** – PAS24/ BS 6375-1:2009

**Air Tightness** – Class 3, 600Pa

**Wind resistance** – Class AE, 2400Pa

**Water resistance** – Class 7a, 300Pa

## Technical

**Frame width** – 53mm

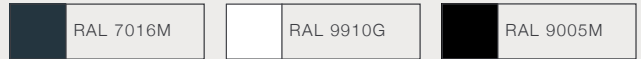
**Glass thickness** – Up to 38mm

**Meeting section** – 35mm

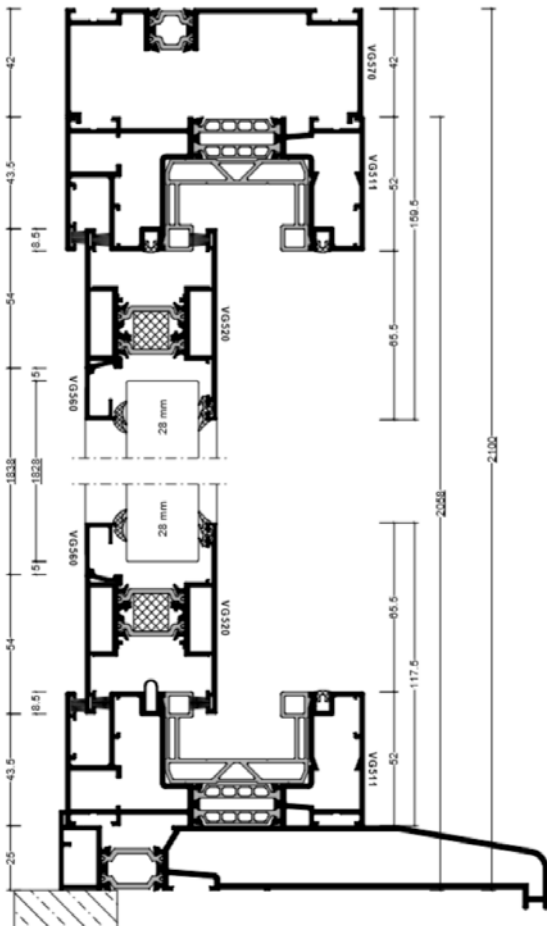
**Frame depth** – 100mm

**Maximum height** – 2500mm

- Standard colours lead times 6/7 weeks
- Off standard colours lead times 8/10 weeks
- Standard colours - Atracite grey 7016M, White 9910G, Black 9005M
- Standard Handle – half Cylinder handle, security lever handle, cup handle colours - Black 9005M, White 9910G,
- Non standard bar handles available on request
- All the above can be colour coded to match any frame colour



1 fixed 1 sliding



1 fixed 2 sliding

